

## KVM 42

Truck-mounted concrete pump  
with 4-section placing boom



## The most successful long boom in North America

Here is the concrete pump that started the long boom revolution in North America. Use the 42-meter 4-section boom on flat-work, buildings or bridges and save so much time because a single set-up reaches 125-feet out or 138-feet up. Also get that second job of the day covered with fast fold-up of outriggers and maneuverability of the twin steer truck chassis. Don't miss out on jobs because of boom

length. Add the best-proven concrete pump in North America to your fleet.

### Generation 3

Schwing proudly offers the concrete pump that will define reliability for the next millennium. Engineering refinements thoroughly tested in the field bring increased performance and smoothness to the pumping process with lower noise levels, higher volume and higher profits

for pump owners. Choose from three available pump kits that provide consistent pumping performance aided by reliable, all-hydraulic operation and the legendary Schwing Rock Valve. Not only do you receive world-class performance but also the lowest cost per yard expenses when you operate with the Generation 3 concrete pump.

Parts, service and an experienced sales staff add so much to

the value of your concrete pump. Only Schwing combines multiple parts stocking locations throughout North America and the most knowledgeable dealer network. Along with our 300,000 square foot manufacturing plant in Minnesota this makes Schwing the unbeatable choice for your long-term future. Look no further - Schwing engineers your success with the latest technology in concrete pumping.

**Four-section overhead Roll & Fold design allows maximum boom utilization**

**Pipeline brackets are welded on both sides of boom for secure attachment**

**Common elbows on boom simplify spare parts stocking**

**Manual boom controls near turret for easy access once boom is unfolded**

**Proven large diameter rotary bearing for smooth rotation**

**Water system features external pump, large volume tank and outlet near hopper**

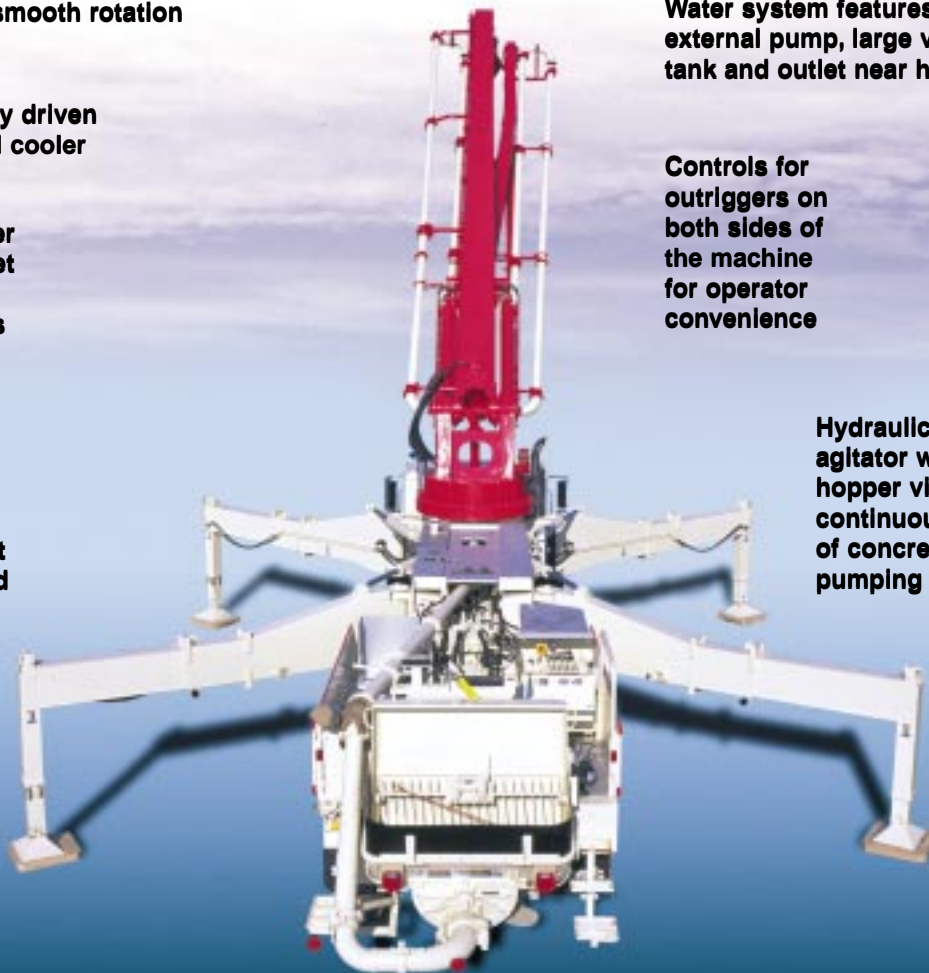
**Electronically driven Hydraulic oil cooler**

**Controls for outriggers on both sides of the machine for operator convenience**

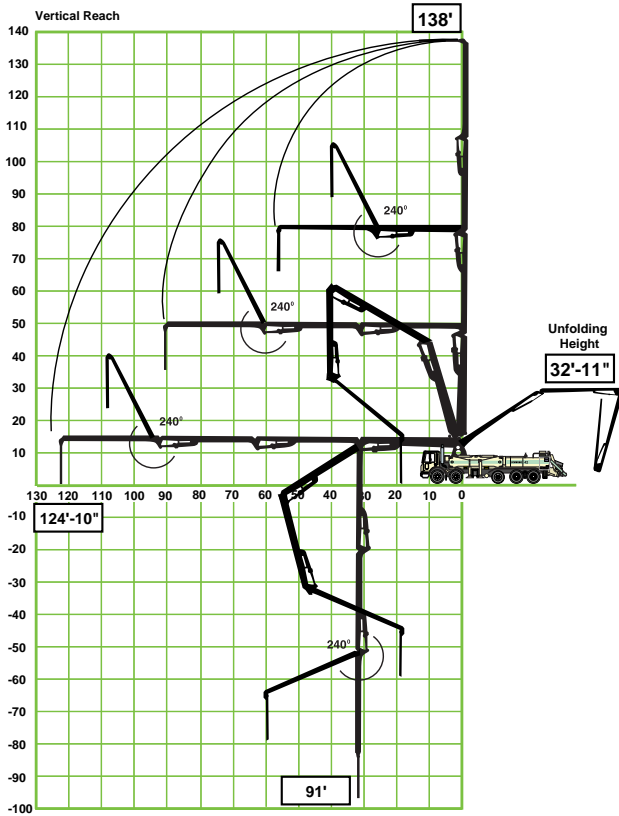
**Gradual taper from 7" outlet to 5" boom pipe assures smooth concrete flow**

**Hydraulically driven agitator with optional hopper vibrator assures continuous, smooth flow of concrete to the pumping cylinders**

**Rock Valve offers lowest cost per yard operation**

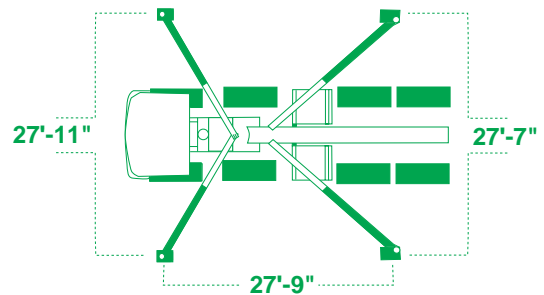
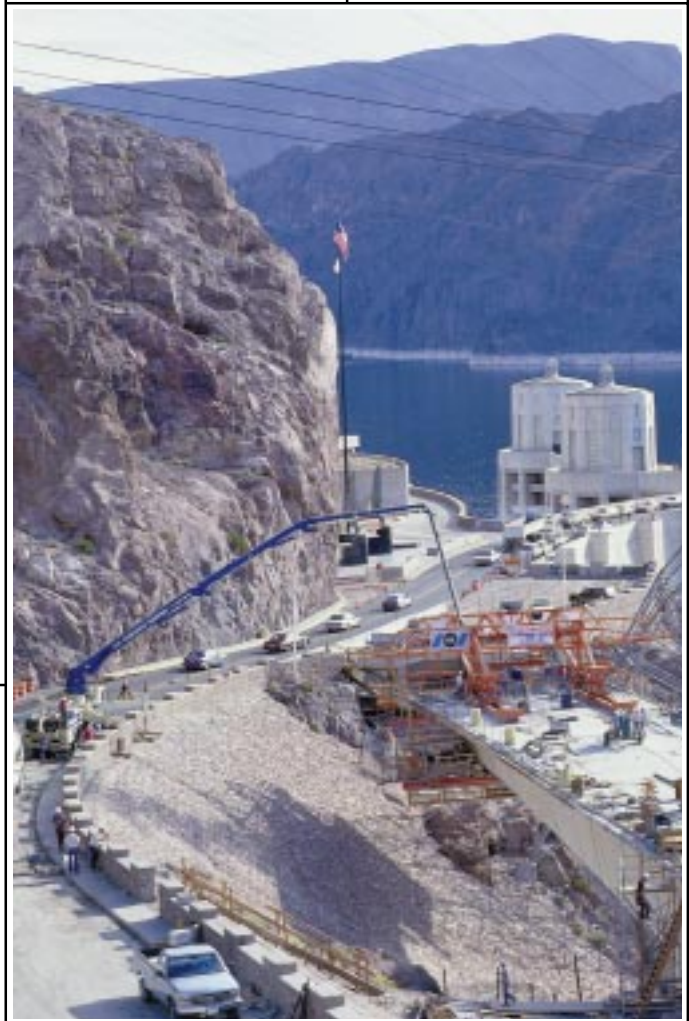


## Four-section boom versatility and operator convenience



Use the proven **four section roll and fold boom** to reach in, out, down, over and under. The possibilities are endless and the results impressive when you snake this boom into buildings, under bridges, and into excavations.

Fully extended, the 42 works on highrise structures or large areas of flatwork. A boom with this agility performs where no other method of concrete placement can. The entire pump and boom rides on a rigid torsion subframe. Stability in all boom positions is the result even at maximum output.



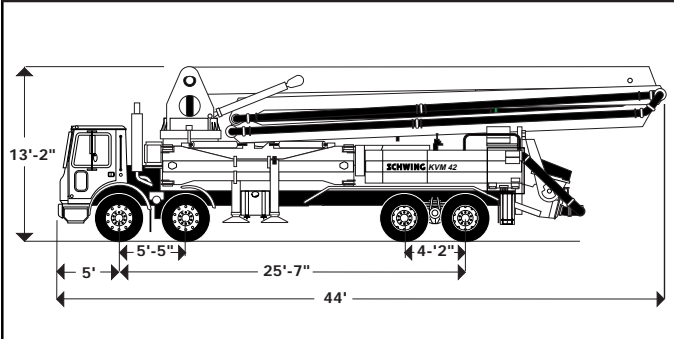


Pump Kits on KVM 42	2023-4	2023-5	2023H-6
Theor. Concrete Output (cu./yds/hr)	170	209	182
Max. Pressure on Concrete (psi)	1007	1007	1233
Max. Strokes/Min.	26	32	28
Pump Cylinder Diameter (in.)	9	9	9
Pump Cylinder Stroke Length (in.)	79	79	79
Differential Cylinder Size (in.)	5.1	5.1	4.7
Max. Aggregate Size (in.)	2.5	2.5	2.5
Hydraulic System Pressure (psi)	5075	5075	5075

Specifications are subject to change without prior notice

Boom Specifications	U.S.	Metric
Pipeline Diameter	5"	125 mm
Vertical Reach	138'	42 m
Net Horizontal Reach	115'	35 m
Reach from Slewing Axis	125'	38 m
Minimum Unfolding height	32' 11"	10 m
Section Length	First Section 33'10"	10.3 m
	Second Section 30'4"	9.24 m
	Third Section 30'4"	9.24 m
	Fourth Section 30'4"	9.24 m
Slewing Range	380°	380°
End hose length	12.5'	4000 mm

Specifications are subject to change without prior notice



**SCHWING**  
**AMERICA INC.**

5900 Centerville Road  
St. Paul, MN 55127  
Tel 651-429-0999  
Fax 651-429-3464  
www.schwing.com

Represented by